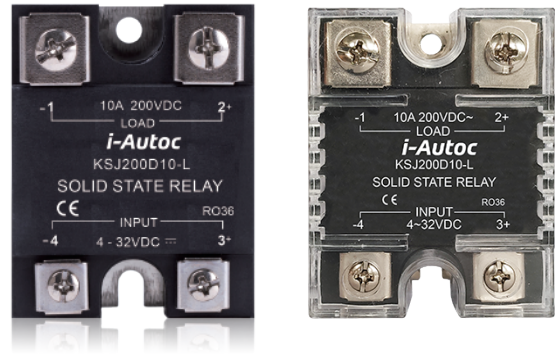


Product Description

- ◆ MOSFET or IGBT Output
- ◆ Low Impedance
- ◆ 4-32VDC Control Input
- ◆ Load Current: 7A-100A
- ◆ Dielectric Strength: 2500Vrms
- ◆ Internal Over-voltage Protection
- ◆ LED Indicator
- ◆ RoHS Compliant



Ordering Information

| | | | | | |
|----------------|--|------------|--|---------------|-----------------|
| KSJ | 50 | D | 40 | -L | (XXX) |
| KSJ Series (1) | Load Voltage 30:0-24VDC 50:0-36VDC 60:0-48VDC 100:0-75VDC 200:0-120VDC 400:3-300VDC 600:3-500VDC 1200:3-700VDC | DC Control | Load Current 7: 7Amp 10: 10Amp 20: 20Amp 25: 25Amp 40: 40Amp 50: 50Amp 80: 80Amp 100: 100Amp | LED Indicator | Customized Code |

(1) Part numbers available are listed in the table below.

| | 30VDC | 50VDC | 60VDC | 100VDC | 200VDC | 400VDC | 600VDC | 1200VDC |
|------|-------------|------------|------------|-------------|-------------|-------------|-------------|--------------|
| 7A | | | KSJ60D7-L | | | | | |
| 10A | | | | | KSJ200D10-L | | | |
| 20A | | | | KSJ100D20-L | KSJ200D20-L | | | |
| 25A | | | | | | KSJ400D25-L | KSJ600D25-L | KSJ1200D25-L |
| 40A | | KSJ50D40-L | | KSJ100D40-L | KSJ200D40-L | | | |
| 50A | KSJ30D50-L | | KSJ60D50-L | | | | KSJ600D50-L | KSJ1200D50-L |
| 80A | | KSJ50D80-L | | KSJ100D80-L | | | | |
| 100A | KSJ30D100-L | | | | | | | |

General Specifications

| Input Specifications (Ta=25°C) | |
|--------------------------------|-------------|
| Control Voltage Range | 4-32VDC |
| Must Turn-on Voltage | 4VDC |
| Must Turn-off Voltage | 1VDC |
| Maximum Input Current | 25mA @32VDC |
| Maximum Reverse Voltage | 32VDC |

General Specifications

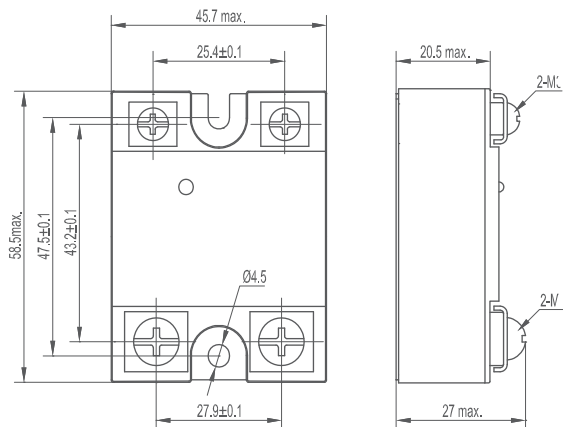
| Output Specifications (Ta=25°C) | | | | | | | | | | | | | | | | | | |
|---|-----------|-----|-----------|-----|-----------|-----|------------|-----|-----|------------|----|-----|-------------|--|------------|-----|-------------|-----|
| Ordering Information | KSJ30D□-L | | KSJ50D□-L | | KSJ60D□-L | | KSJ100D□-L | | | KSJ200D□-L | | | KSJ400D25-L | | KSJ600D□-L | | KSJ1200D□-L | |
| | 50 | 100 | 40 | 80 | 7 | 50 | 20 | 40 | 80 | 10 | 20 | 40 | | | 25 | 50 | 25 | 50 |
| Transistor Voltage (VDC) | 55 | | 75 | | 100 | | 150 | | | 250 | | | 600 | | 1200 | | 1200 | |
| Load Voltage Range (VDC) | 0-24 | | 0-36 | | 0-48 | | 0-75 | | | 0-120 | | | 3-300 | | 3-500 | | 3-700 | |
| TVS Breakdown Voltage Scope (V) | 37.1-41 | | 53.2-58.8 | | 64.6-71.4 | | 105-116 | | | 190-210 | | | | | | | | |
| MOV Protective Voltage Scope (V) | | | | | | | | | | | | | 423-517 | | 675-825 | | 738-902 | |
| Maximum Load Current (A) | 50 | 100 | 40 | 80 | 7 | 50 | 20 | 40 | 80 | 10 | 20 | 40 | 25 | | 25 | 50 | 25 | 50 |
| Maximum Surge Current (Apk.@10ms) | 150 | 250 | 120 | 200 | 30 | 150 | 60 | 120 | 200 | 30 | 60 | 120 | 75 | | 75 | 150 | 75 | 150 |
| Maximum On-State Resistance (mΩ) | 4.2 | 2.1 | 12 | 6 | 14 | 7 | 13 | 13 | 6.5 | 60 | 30 | 30 | | | | | | |
| Maximum On-State Voltage Drop@Rated Current (V) | | | | | | | | | | | | | 1.75 | | | | | |
| Maximum Off-State Leakage Current@Rated Load Voltage (mA) | | | | | | | | | | | | | 0.1 | | 0.5 | | | |
| Minimum Load Current (mA) | | | | | | | | | | | | | 2 | | 2 | | | |
| Maximum Turn-on Time (ms) | | | | | | | | | | | | | 0.3 | | 1 | | | |
| Maximum Turn-off Time (ms) | | | | | | | | | | | | | 0.3 | | 1 | | | |

| General Specifications (Ta=25°C) | | |
|---|--------------------|----------|
| Dielectric Strength (50/60Hz) | Input/Output | 2500Vrms |
| | Input, output/Base | 2500Vrms |
| Minimum Insulation Resistance (@500VDC) | 1000MΩ | |
| Ambient Temperature Range | -30°C ~ +80°C | |
| Storage Temperature Range | -30°C ~ +100°C | |
| Weight (Typical) | 100g | |

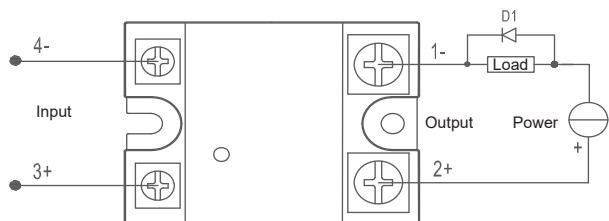
Applications

Control heating, DC power supplies, electromechanical valves, motors, medical equipment, and etc.

Outline Dimensions/Wiring Diagram



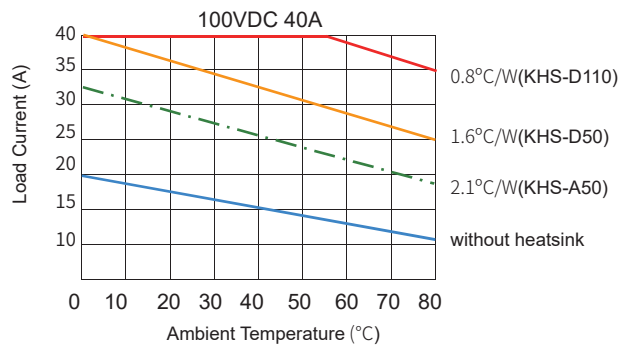
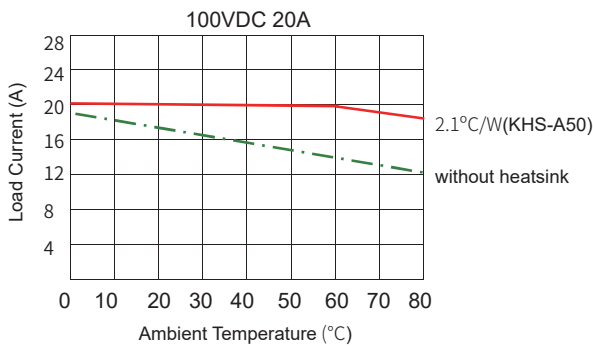
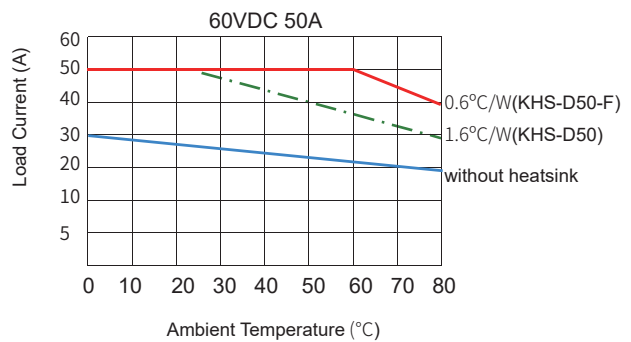
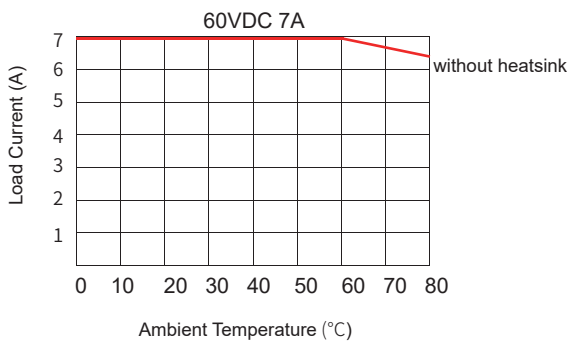
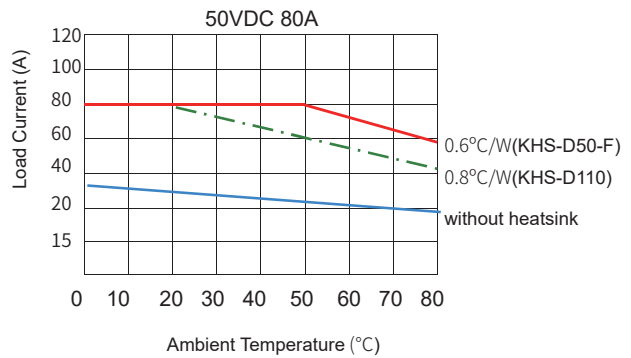
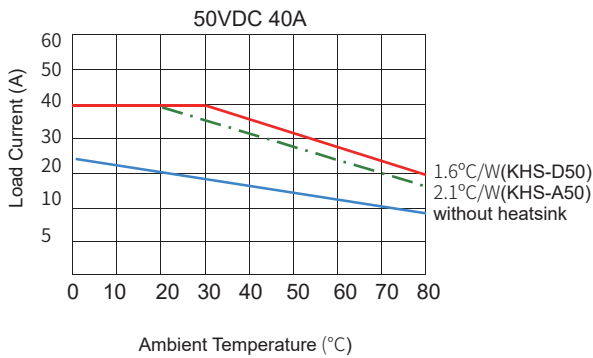
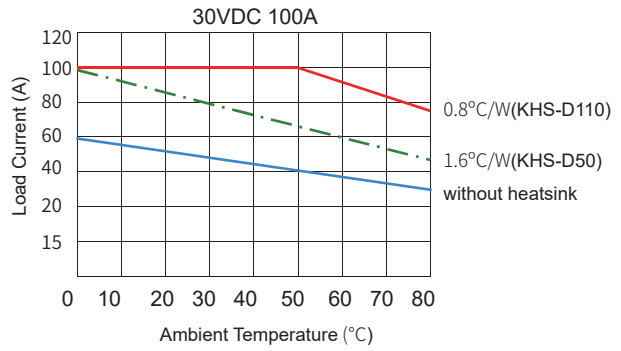
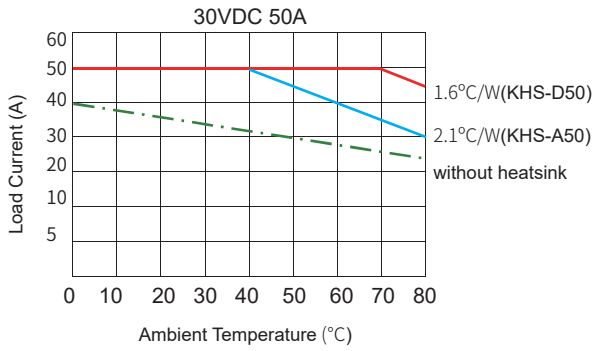
Outline Dimensions

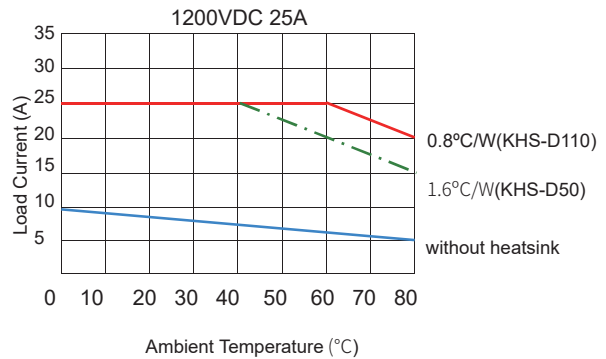
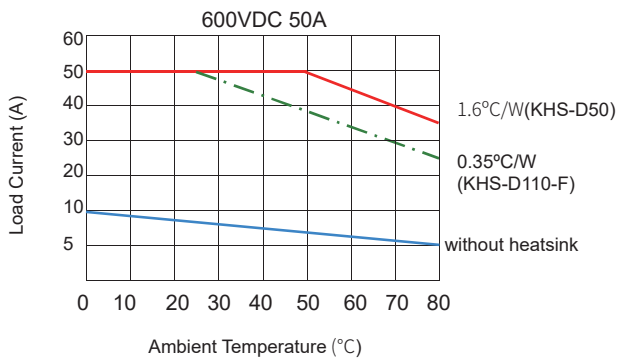
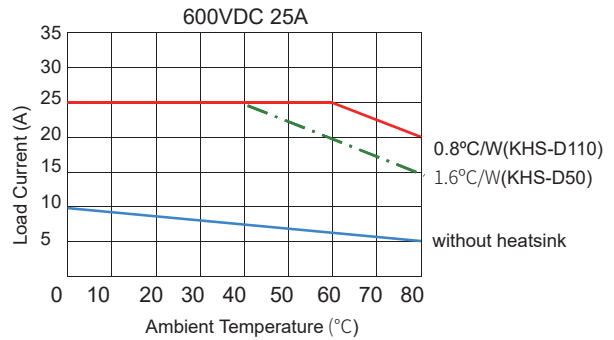
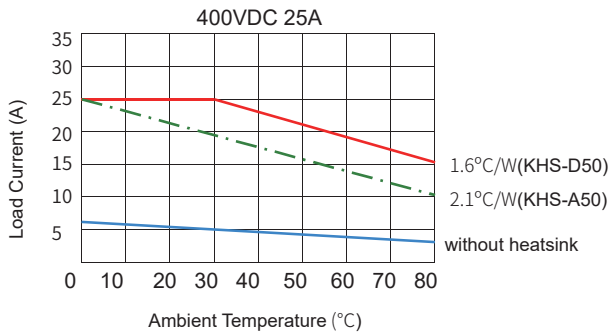
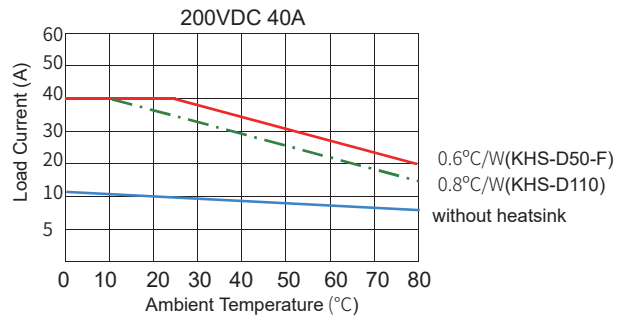
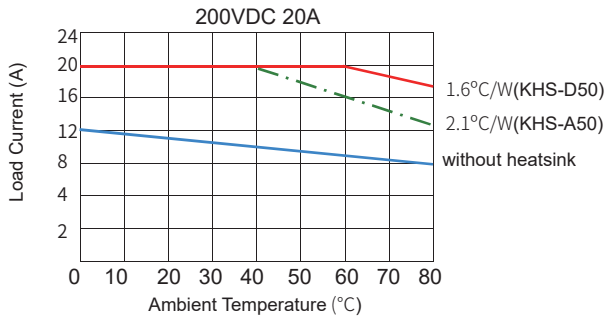
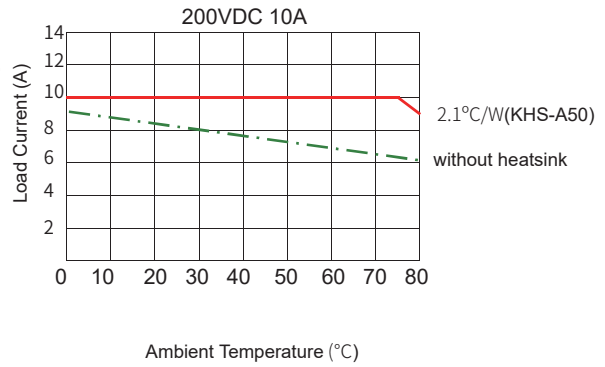
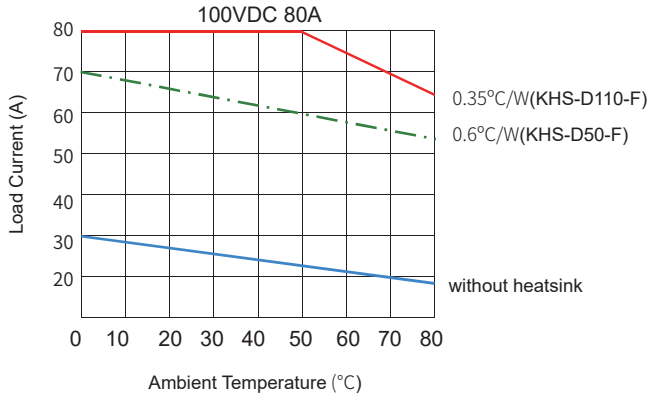


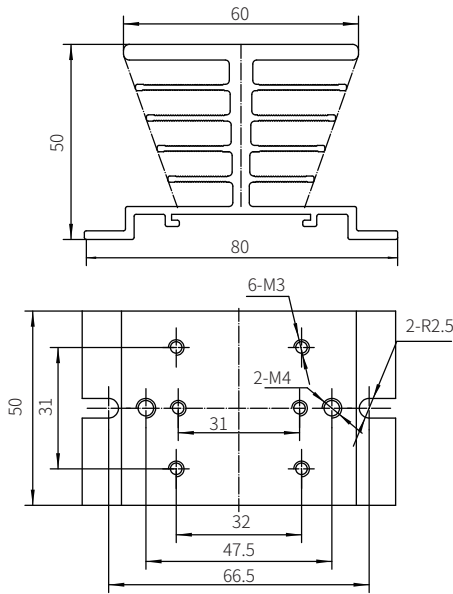
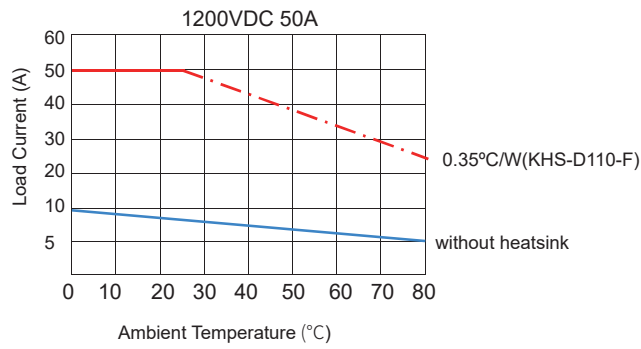
When the relay is used for inductive load control, please be sure to use a suppression circuit, just like the drawing above. Both load terminals are inverse paralleled with a fly-wheel diode D1.
D1: Fast Recovery Diode

Wiring Diagram

Thermal Derating Curve

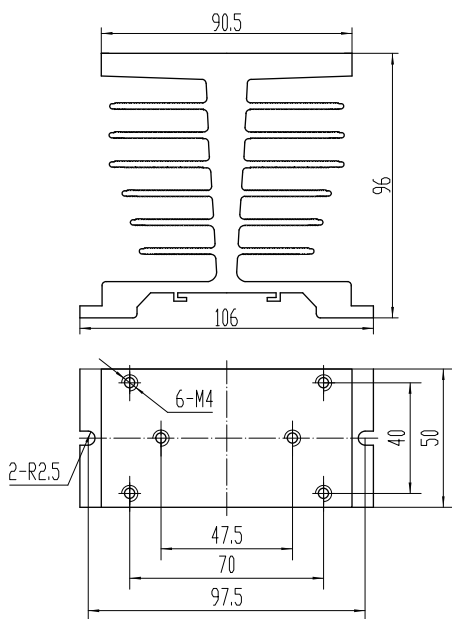




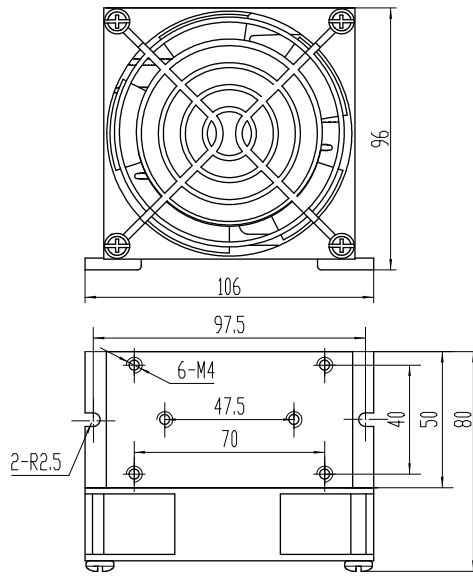


KHS-A50

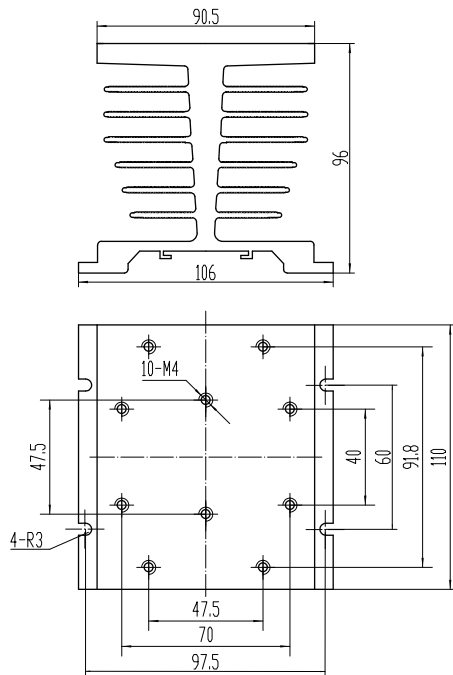
(Note: The recommended mounting hole size is 68mm)



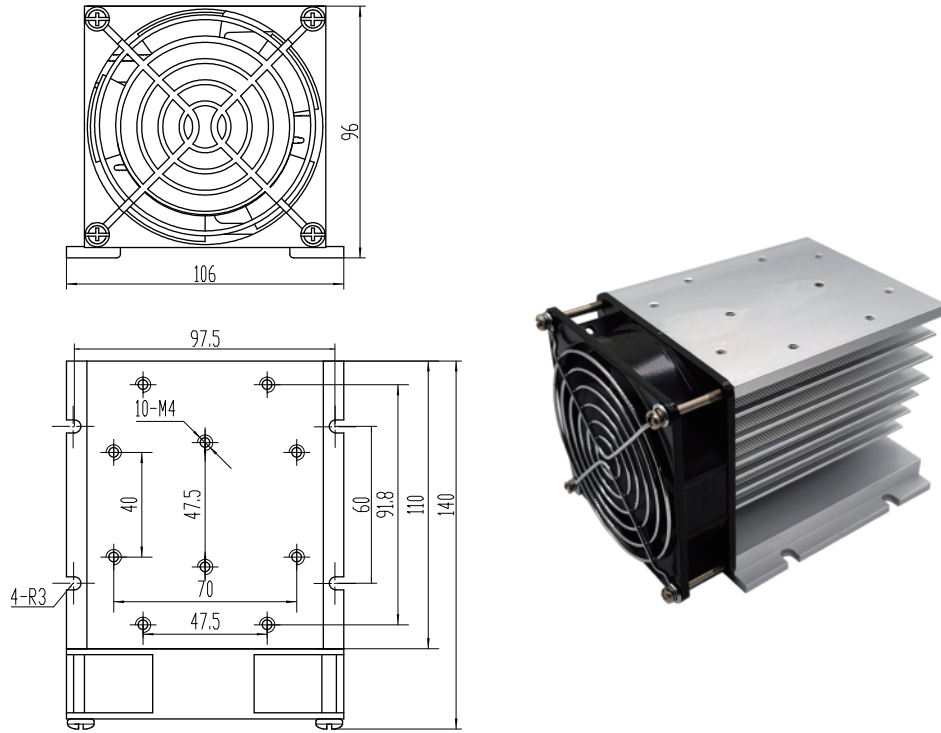
KHS-D50



KHS-D50-F



KHS-D110



KHS-D110-F

General Notes

1. Relay must be mounted to proper sized heat sink based on thermal curves. Thermal grease or a thermal pad must be used between relay and heat sink and be torqued down to (18-20)/(2.0-2.2) in-lb/Nm.
2. When connection wiring to SSR, please ensure screws are torqued down properly. Recommended torque for input screw is (13-15)/(1.5-1.7) in-lb/Nm, output screw is (18-20)/(2.0-2.2) in-lb/Nm.
3. SSR's carrying load capacity is related to the operation ambient temperature and heat dissipation condition, please refer to the Thermal Derating Curve for derating.
4. Capacitive load will produce very high surge current at the moment of conduction, which may lead to the damage of solid state relay due to the excessive surge current. Therefore, if the actual load is capacitive, or the load has paralleled large capacitance, it is strongly recommended that NTC should be connected in series in the load loop to suppress surge current in order to avoid damage to the product.

! Warnings

1. The product's side panels may be hot, allow the product to cool before touching.
2. Disconnect all power before installing or working with this equipment.
3. Verify all connections and replace all covers before turning on power.